

BASICS

C. Lozoya, 4, bajo ext. der. 28015
Madrid, Spain
+34 657427953
www.basics.land



NEXT CHAIR

While the Institute of Next Business Lab project was underway, of which the Basics team were in charge of the reconversion from factory to office, Basics accepted the challenge to design and fabricate customised furniture for the Lab. And so, the Next chair came to life; simple and understated, this stackable wooden chair subtly suggests the letter N in white lacquered legs and hand rests. The seat and backrest are unique for every chair due to the milled curvatures for comfort.

The designers, together with the Institute of Next owners, decided to make the Next chair open source, available for everyone to fabricate and customise. The chair is composed of 4 interlocking parts, that for best performance are fixed together with 10 wooden dowel pins and wood glue.

Materials For this specific design we used plywood birch board, with a finish of linseed oil for the body and with a white lacquer for the structural profiles.



Designer

We are an international team of architects, engineers and activists that has been professionally trained in topics like parametric design, digital tools & fabrication. BASICS was founded proposing a modern 'back to the basics' approach towards thinking spaces and objects. We believe in a sensitive interaction between the human scale and digital optimisation. The scale of our interventions may vary between urban to object, always deploying natural and local materials and new technologies, working together harmoniously.

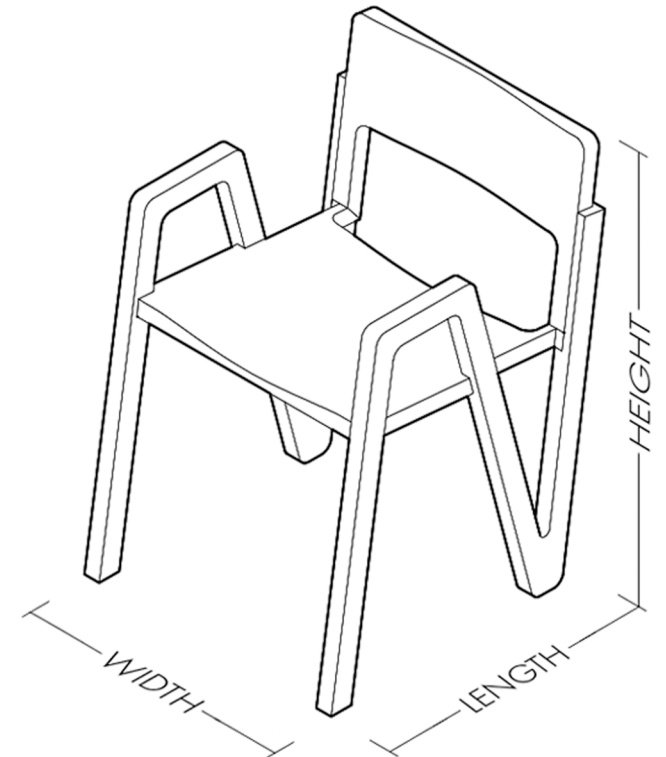
Cutting We used a 16mm tool bit for the entire cut and carving of the Next chair.

License ATTRIBUTION NON-COMMERCIAL SHAREALIKE INTERNATIONAL 4.0 (CCBY-NC-SA)
This license lets others remix, tweak, and build upon this work non-commercially, as long as they credit BASICS and license their new creations under the identical terms.

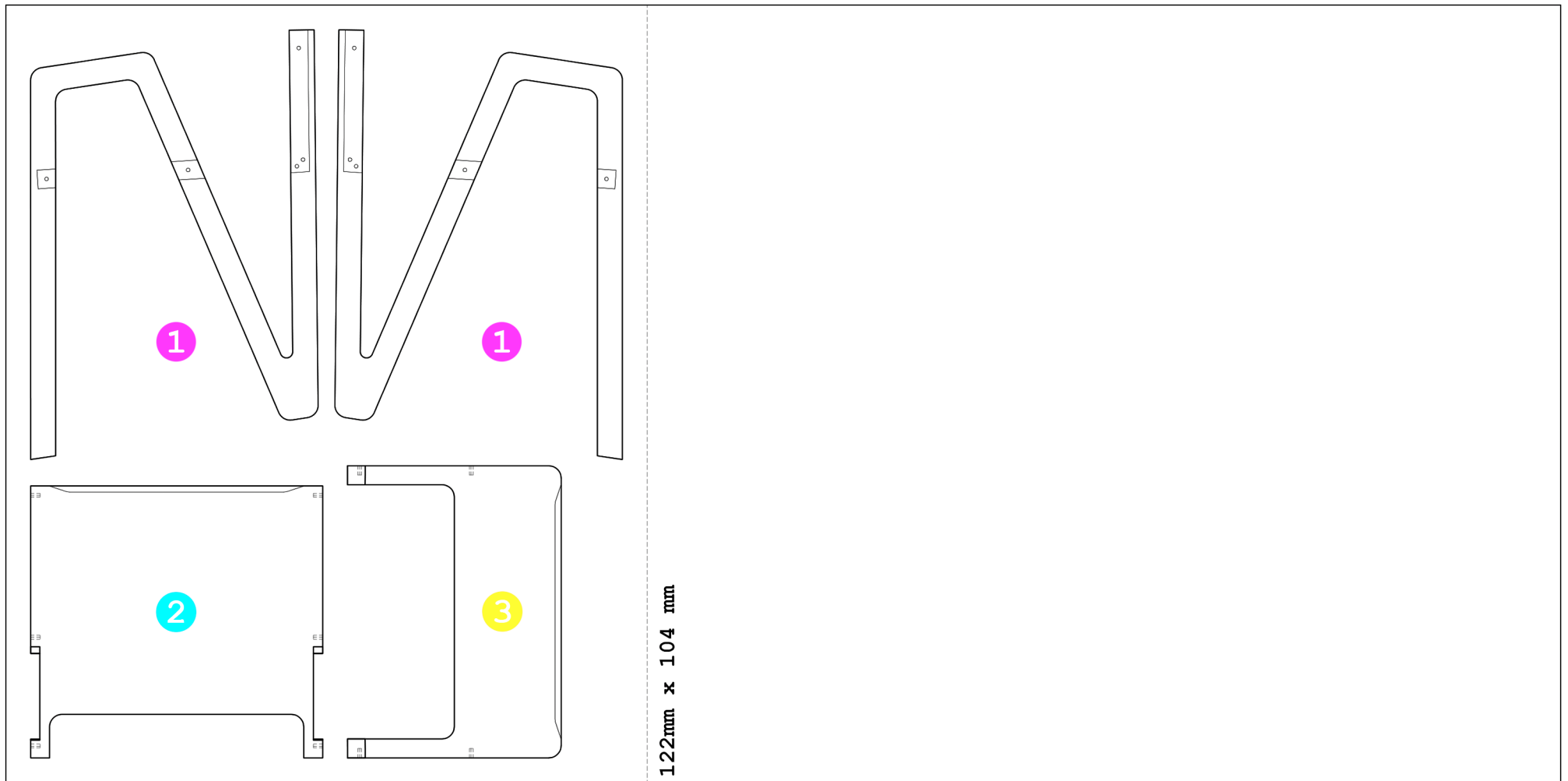
Estimate fabrication cost €250 estimated, ex. VAT

Length: 560mm
Width: 485mm
Height: 730mm

- 1** Leg [x2]
- 2** Seat
- 3** Back

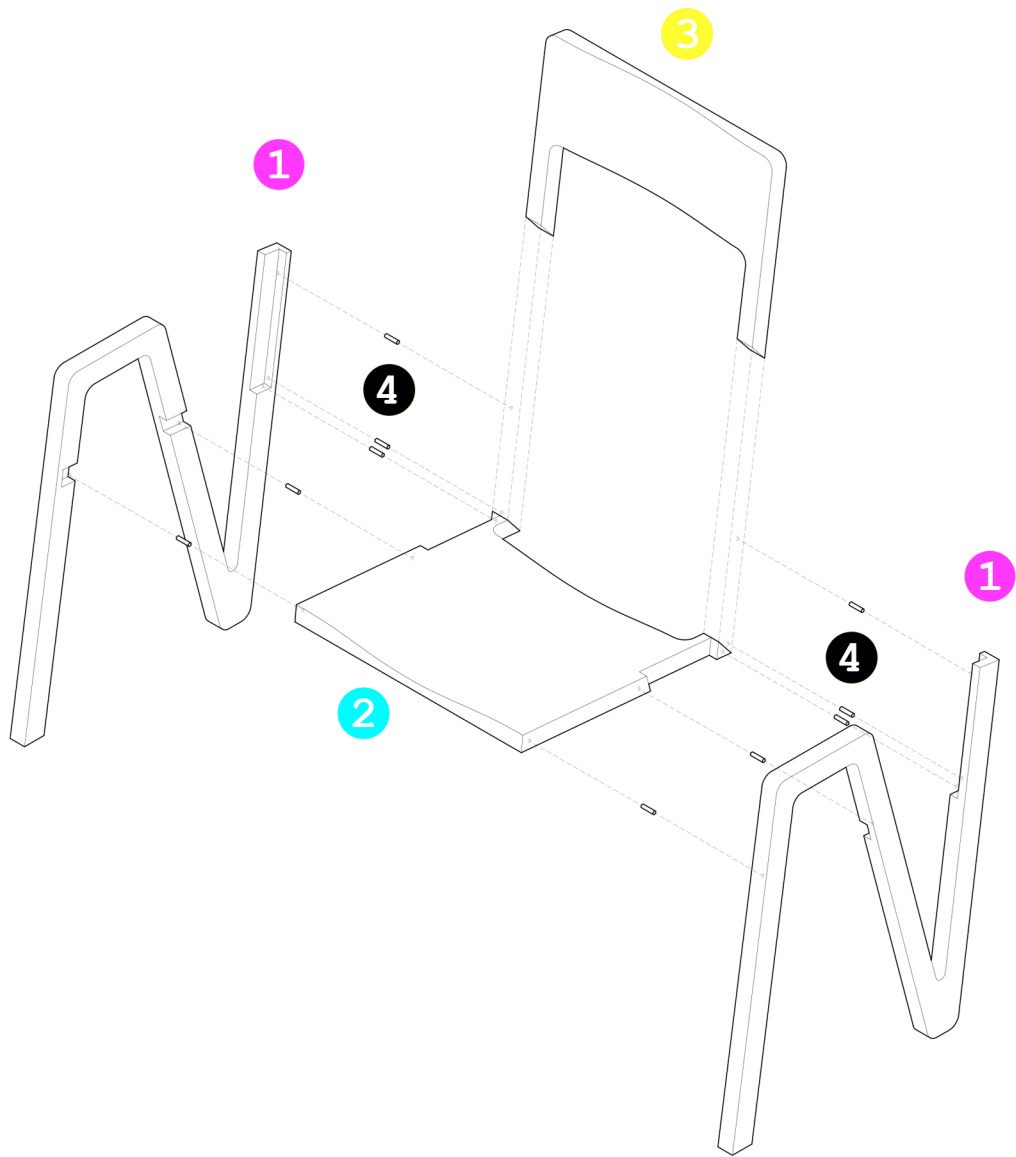


Overview DXF file

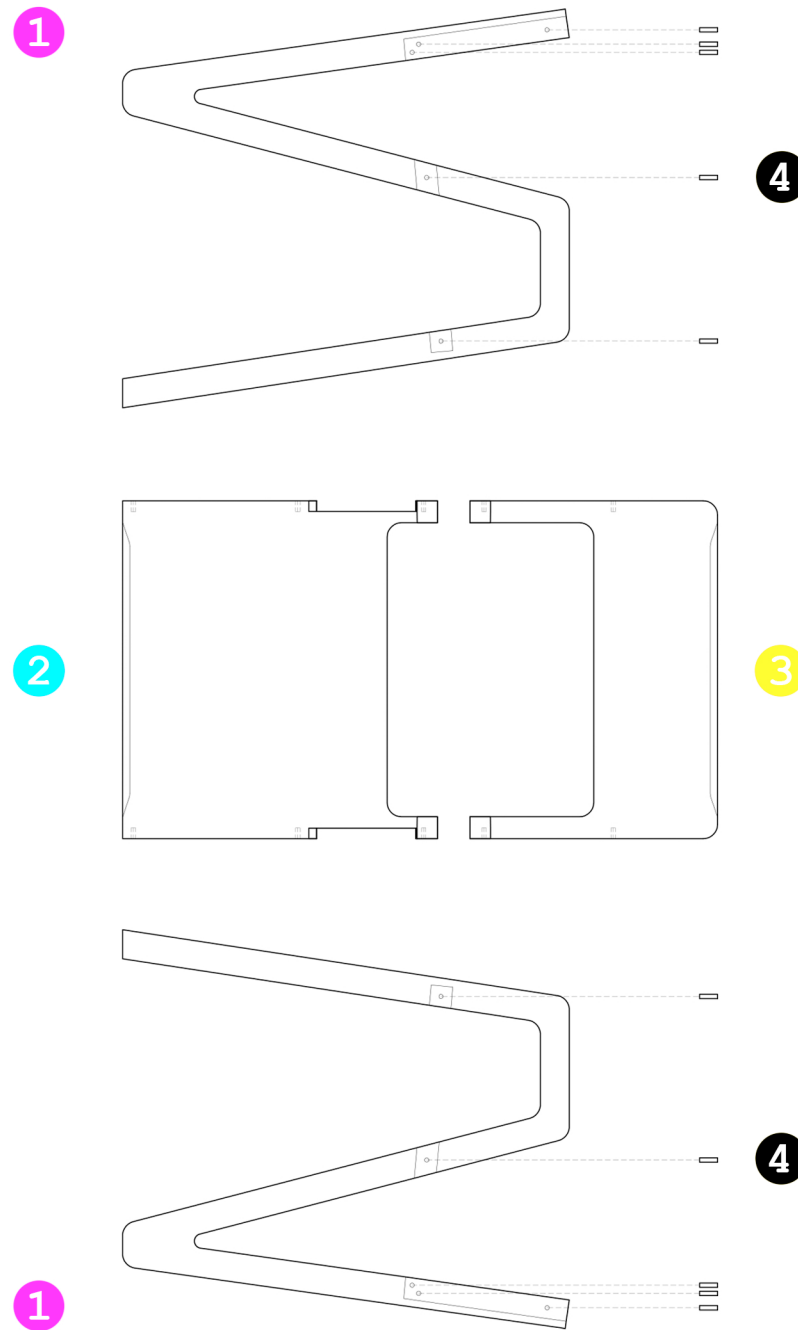


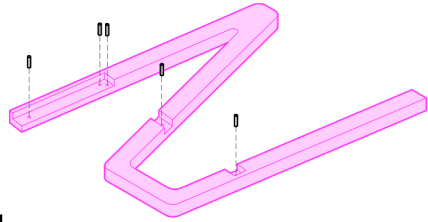
- 1** Leg [x2]
- 2** Seat
- 3** Back

[Download DXF](#)



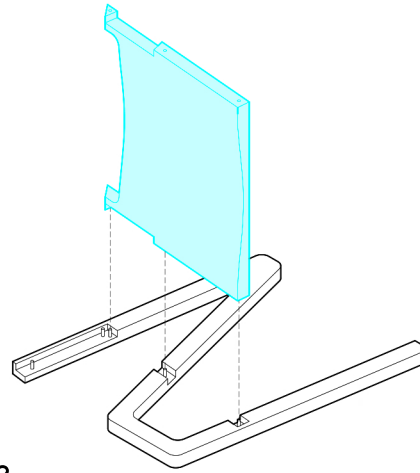
- 1 Leg [x2]
- 2 Seat
- 3 Back
- 4 Wood dowel pins [x10]





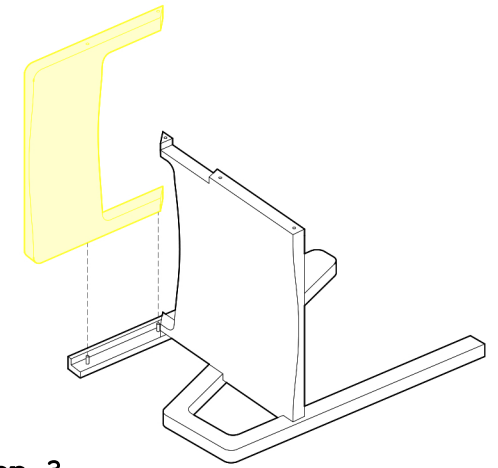
Step 1

- Leg **1**
- x5 wood dowel pins **4**



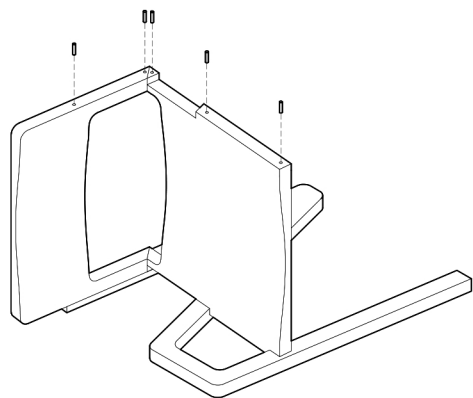
Step 2

- Seat **2**



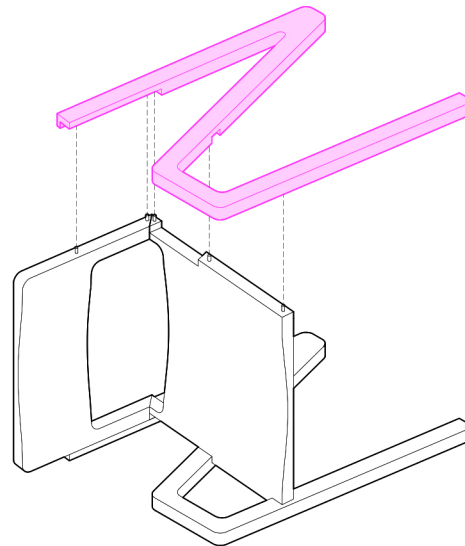
Step 3

- Back **3**



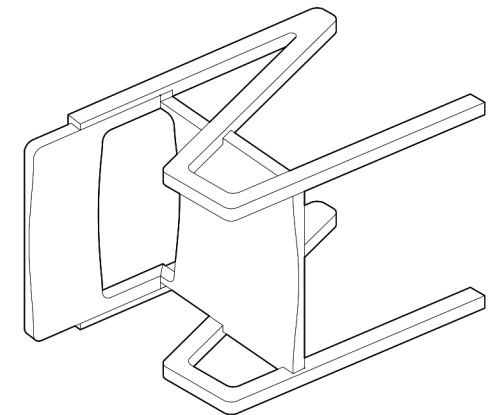
Step 4

- x5 wood dowel pins **4**



Step 5

- Leg **1**



Step 6

- Enjoy it!